

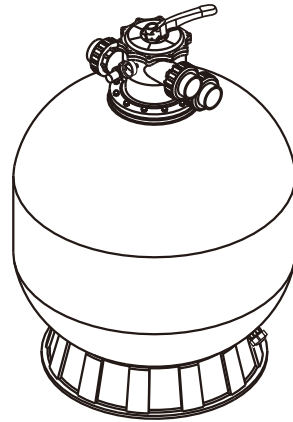
INSTRUCTION MANUAL

Model - M25B, M28B, M30, M32 M36, M40, M44, M48, M56

FUNCTION

The filter uses special filter sand to remove dirt particles from pool water. The filter sand is loaded into the filter tank and functions as the permanent dirt removing media. When the control valve is in the FILTER position, the pool water which contains suspended dirt particles, is pumped through your piping system and is automatically directed by the patented filter control valve to the top of filter tank. As the pool water is pumped through the filter, dirt particles are trapped by the sand bed, and filtered out. The cleaned Pool water is returned from the bottom of the filter tank, through the control valve and back to the pool through the piping system. This entire sequence is continuous and automatic and provides for total recirculation of pool water through your filter and piping system.

After a period of time the accumulated dirt in the filter causes a resistance to flow, and the flow diminishes. This means it is time to clean your filter. With the control valve in the BACKWASH position, the water flow is automatically reversed through the filter so that it is directed to the bottom of the tank, up through the sand, flushing the previously trapped dirt and debris out the waste line. Once the filter is backwashed of dirt, set control valve to RINSE position and run pump for about 1/2 to 1 minute, and then to filter, to resume normal filtering.



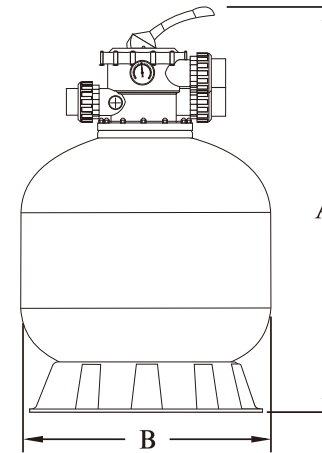
NOTE: Turn pump off before changing valve position.

INSTALLATION

- Only simple tools (screwdriver and wrenches), plus pipe sealant for plastic adapters, are required to install and service the filter.
- The filter should be placed on a level concrete slab, very firm ground, or equivalent. Position the filter so that the piping connections, control valve are convenient and accessible for operation and service.
 - Loading the sand media. Filter sand media is loaded through the top opening of the filter.
 - Loosen flange clamp and remove filter control valve (if previously installed).
 - Cap internal pipe with plastic cap to prevent sand from entering it.
 - We recommend filling tank approximately 1/2 way with water to provide a cushion effect when the filter sand is poured in. This helps protect the under-drain laterals from excessive shock.
 - Carefully pour in correct amount and grade of filter sand. (Be sure center pipe remains centered in opening.) Sand surface should be leveled and should come to about the middle of the filter tank. Remove plastic cap from internal pipe.
 - Assemble filter control valve to filter tank.
 - Insert filter control valve (with O'ring in place) into the tank neck, ensuring the twelve bolts which is pre-embedded in the tank neck through the twelve hole round the valve, taking care that the center pipe slips into the hole in the bottom of the valve.
 - Place two plastic clamps around valve flange and tank flange and tighten enough so that the valve may be rotated on tank for final position.

- Carefully screw pressure gauge (with O'ring in place) into tapped hole in valve body. Do not over-tighten.
- Connect pump to control valve opening marked PUMP. After connections are made, tighten valve flange clamps with screwdriver, tapping around clamp with screwdriver handle to help seat valve flange clamp.
- Make return to pool pipe connection to control valve opening marked RETURN and complete other necessary plumbing connections, suction lines to pump, waste, etc.
- Make electrical connections to pump per pump instructions.
- To prevent water leakage, be sure all pipe connections are tight.

MAIN DIMENSION



DIMENSION TABLE

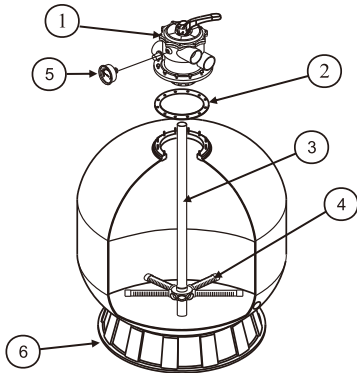
MODEL	HEIGHT A(MM)	DIAMETER B(MM)	VALVE (inch)	SAND (kg)
M25B	1027	635	2"	155
M28B	1025	700	2"	210
M30	1050	750	2"	230
M32	1200	800	2"	250
M36	1300	900	2"	350
M40	1400	1000	2"	600
M44	1480	1100	2"	900
M48	1600	1200	2"	1150
M56	1850	1400	2"	1800

INSTALL/START-UP OF FILTER

- Be sure correct amount of filter media sand is in tank and that all connections have been made and are secure.
- Depress control valve handle and rotate to BACKWASH position. (To prevent damage to control valve seal, always depress handle before turning.)
- Prime and start pump according to pump instructions (be sure all suction and return lines are open), allowing the filter tank to fill with water. Once water is flowing out of the waste line, run the pump for 1 minute or more. The initial back-washing of the filter is recommended to remove any impurities or fine sand particles in the sand media.
- Turn pump off and set valve to RINSE position. Start pump and operate until water in sight glass is clear, for 1/2 to 1 minute. Turn pump off and set valve to FILTER position and restart pump. The filter is now operating in the normal filter mode, filtering dirt particles from the pool water.
- Adjust pool suction and return valves to achieve desired flow. Check system and filter for water leaks and tighten connections, bolts, nuts, as required.
- Note the initial pressure gauge reading when the filter is clean. (It will vary from pool to pool depending upon the pump and general piping system.) As the filter removes dirt and impurities from the pool water, the accumulation in the filter will cause the pressure to rise and flow to diminish. When the pressure gauge reading is 1.5 bar, higher than the initial "clean" pressure you noted, it is time to backwash the filter (see BACKWASH under filter and control valve functions).

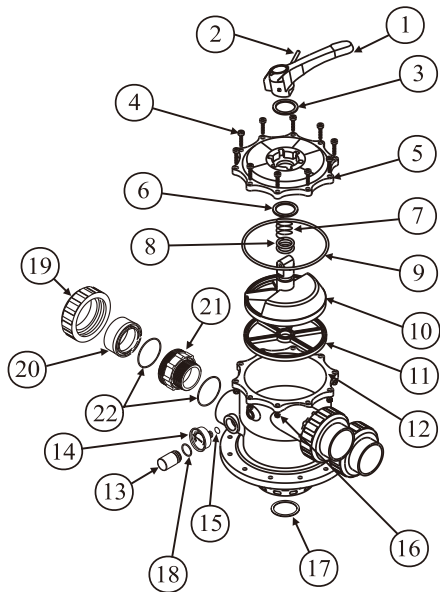
NOTE: During initial clean-up of the pool water it may be necessary to backwash frequently due to the unusually heavy initial dirt load in the water.

MULTIPOINT VALVE



FILTER PARTS TABLE	
ITEM	DESCRIPTION
1	VALVE
2	GASKET OF FLANGE
3	LATERAL ASSEMBLY WITH CENTER PIPE
4	LATERAL SET
5	PRESSURE GAUGE
6	FILTER SUPPORT STAND

REPLACEMENT PARTS OF MULTIPOINT VALVE

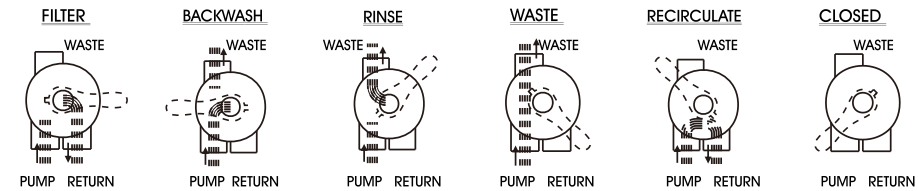
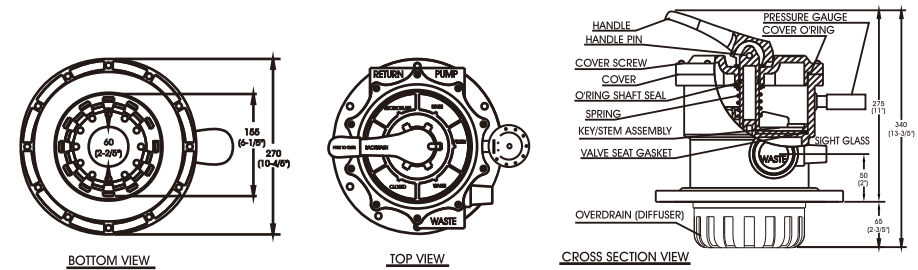


VALVE PARTS TABLE	
ITEM	DESCRIPTION
1	HANDLE
2	LOCK PIN
3	WASHER
4	SCREW
5	COVER
6	WASHER
7	SPRING
8	O'RING
9	O'RING OF COVER
10	DIVERTOR HEAD
11	GASKET
12	BODY
13	SIGHT GLASS
14	PRESSURE GAUGE
15	GASKET OF PRESSURE GAUGE
16	NUT HEX
17	O'RING
18	O'RING FOR SIGHT GLASS
19	UNION NUT
20	UNION HEAD
21	THREADED TAIL PIECE
22	O'RING

WARNING

- ▲ THIS FILTER OPERATES UNDER HIGH PRESSURE. WHEN ANY PART OF THE CIRCULATING SYSTEM(e.g., CLMP, PUMP, FILTER, VALVES,ETC.)IS SERVICED, AIR CAN ENTER THE SYSTEM AND BECOME PRESSURIZED. PRESSURIZED AIR CAN CAUSE THE LID OR VALVE TO BE BLOWN OFF WHICH CAN RESULT IN SEVERE INJURY,DEATH, OR PROPERTY DAMAGE.
- ▲ TURN PUMP OFF BEFORE CHANGING VALVE POSITION.
- ▲ TO PREVENT DAMAGE TO THE PUMP AND FOR PROPER OPERATION OF THE SYSTEM, CLEAN PUMP STRAINER AND SKIMMER BASKETS REGULARLY.

MULTIPOINT VALVE



FUNCTIONS OF VALVE POSITIONS	
Valve Position	Function
FILTER	Normal Filtration and Vacuuming
BACKWASH	Cleaning Filter by reversing the flow
RINSE	Used after backwash to flush dirt from valve
WASTE	By-passes filter, used for vacuuming to waste or lowering water level
RECIRCULATE	By-passes filter for circulating water to pool
CLOSED	Shuts off all flow to filter or pool

GENERAL

1. Pipe tap boss provided for optional influent pressure gauge.
2. Piping stops are provided to prevent over-tightening. Always use Teflon pipe tape for connections to provide a good, "living" seal. Add extra sealant if male pipe fitting is undersized.
3. **SERVICING VALVE.** If it becomes necessary to service or gain access top he key or valve gasket:
 - a. Set handle in filter position.
 - b. Remove cover screws.
 - c. Lift cover and key assembly out.

TO ASSEMBLE

1. Place valve key so that wedge opening is at TOP (handle point to Filter position.). Flat edge of cover screw lug should align with flat edge of body screw lug.
2. Position cover O' Ring.
3. Secure assembly yo body with cover screws. Tighten cover screws evenly and alternately. Do not over-tighten.